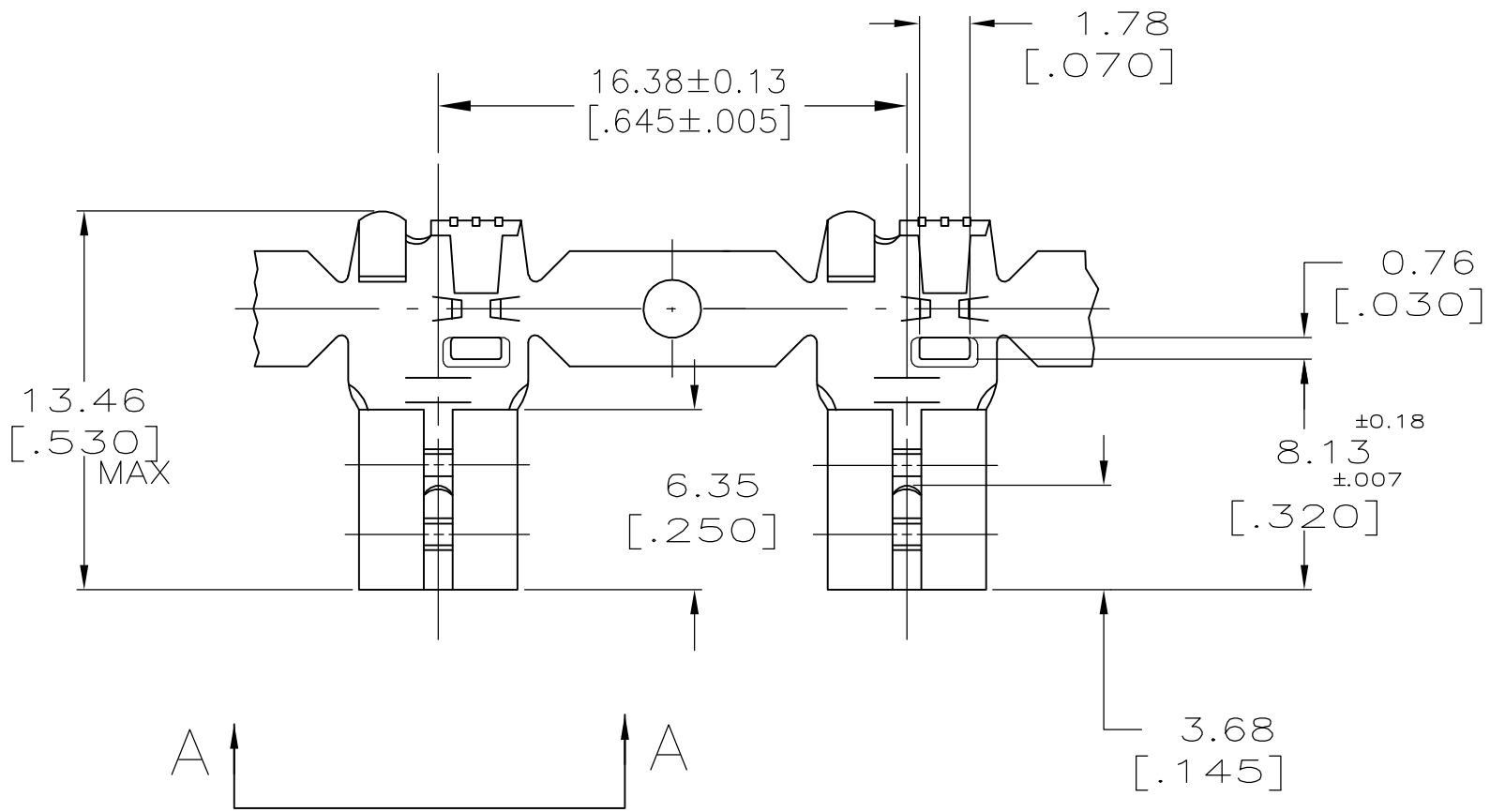
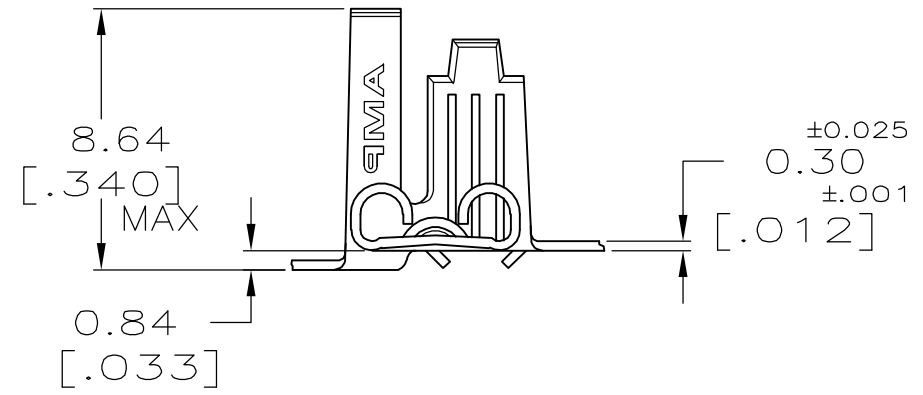
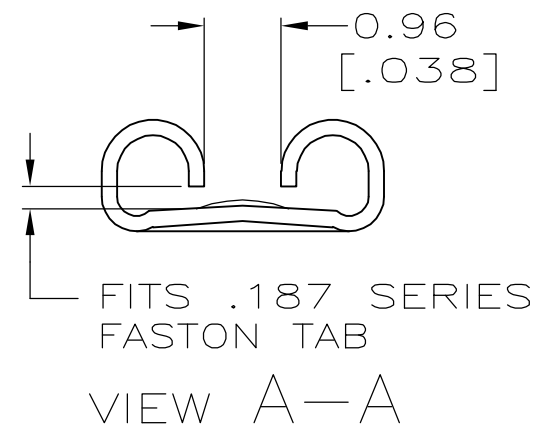


THIS DRAWING IS UNPUBLISHED. RELEASED FOR PUBLICATION  
 © COPYRIGHT BY TYCO ELECTRONICS CORPORATION. ALL RIGHTS RESERVED.

LOC	DIST	REVISIONS					
		P	LTR	DESCRIPTION	DATE	DWN	APVD
AF	50		H1	REV PER ECR 06-028943	13DEC06	JR	PD



- 1 CONTINUOUS STRIP ON REELS
- 2 TIN PLATE 0.002032 [.000080] MIN THK.
- 3 SILVER PL 0.00381 [.000150] MIN THK.
- 4 WIRE SIZE IS 0.5-1.4mm [20-16] AWG
- 5 INSULATION RANGE IS 2.79-4.32 [.110-.170] DIA.
- 6 MATING TAB THK IS 0.81±0.025 [.032±.001].



3	62591-2
2	62591-1
FINISH	PART NO

THIS DRAWING IS A CONTROLLED DOCUMENT.		DWN JR RUTH 7/23/91	Tyco Electronics Corporation Harrisburg, PA 17105-3608			
DIMENSIONS: INCHES		CHK MS FEHER 7/23/91				
TOLERANCES UNLESS OTHERWISE SPECIFIED:		APVD D REINER 7/23/91	PRODUCT SPEC			
0 PLC ± - 1 PLC ± - 2 PLC ± 0.38 [.015] 3 PLC ± - 4 PLC ± - ANGLES ± -		APPLICATION SPEC		SIZE	CAGE CODE	
MATERIAL H04 BRASS		FINISH SEE TABLE		WEIGHT -	RESTRICTED TO -	
CUSTOMER DRAWING			SCALE 4:1	SHEET 1 OF 1	REV H1	